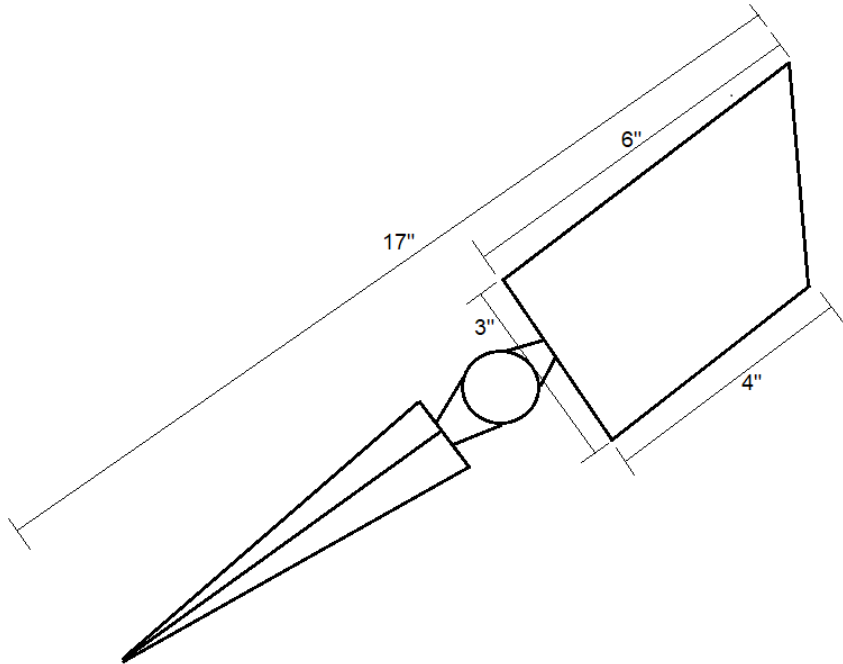




Specification Cut Sheet

Blue Spruce LED Spot Light



- HP-151L
- Blue Spruce Tree Litter Spot Light
- Finish and Material Options:
 - **Bronze Finish - Brass (HP151LMBRX)**
 - **Textured Black Powder Coat - Aluminum (HP151LPCBX)**
- 12V, 5 Watt MR16 LED (replaceable bulb)
- Dimmable
- 45 Degree Beam Spread
- 2700K Warm White Light Output

Installs in any landscape surface with an 8" spike (attached). Luminates a 6' to 8' wide area.

Includes a 48", 20 ga. pigtail.

Use silicone filled wire nuts or other waterproof fasteners for connections to the main run.

For repair parts or warranty information, please call (888) 582-5850 or visit us on the web at www.highpointlight.com