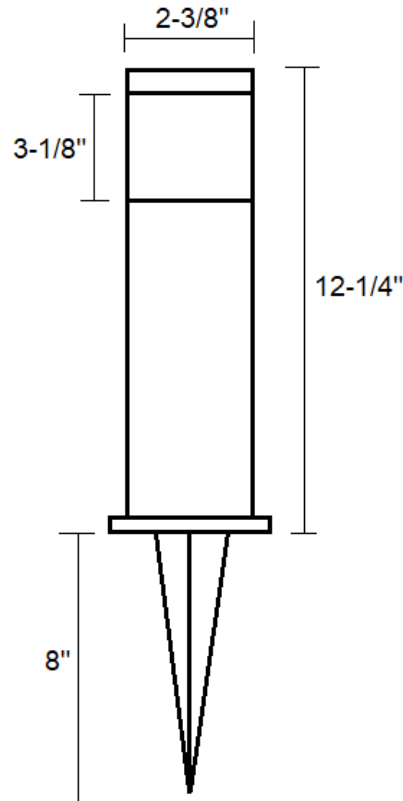




Specification Cut Sheet

Bollard Landscape Path Light



- HPBOLLPCB
- Bollard Landscape Path Light
- Finish and Material Options:
 - **Black Powder Coat - Aluminum (HPBOLLPCB)**
- 12V, 1.5 Watt LED
- Dimmable
- 2700K Warm White Light Output

Install in any landscape area with removable stem and flat surface/concrete install fasteners. Luminates a 3' to 6' wide area.

Includes a 48", 20 ga. Pigtail.

Use silicone filled wire nuts or other waterproof fasteners for connections to the main run.

For repair parts or warranty information, please call (888) 582-5850 or visit us on the web at www.highpointlight.com