

FB/FBR/FBFZ

Fence Rail Brackets

FB and FBR fence brackets make the connection between fence rails and posts simple and strong. Eliminates the need for toe nails or screws. Clean, versatile connections make planning and building fences, deck/porch railings and louvers easier and faster.

The patent-pending FBFZ flat rail bracket offers a more concealed install look. In addition to fence-rail connections, the FBFZ can also be used for handrail attachments for porch and deck railings that are 30" or closer to ground level.

Material: See table

Finish: FB/FBFZ/FBR — galvanized; FB24SS — stainless steel. Some products available in ZMAX® coating. See Corrosion Information, pp. 12–15.

Installation:

- FB/FBFZ — Install using 0.131" x 1½" nails or #9 x 1½" Strong-Drive® SD Connector screws.
- FB24R/FB24Z/FB24SS — Install with three fasteners into the rail and two fasteners into the supporting member.
- FB26 — Install with three fasteners into both the rail and the supporting member.
- FBR24Z — Sized for 0.148" x 1½" nails or #9 x 1½" Strong-Drive® SD Connector screws. Install with three fasteners into the rail and two fasteners into the supporting member.
- For FBFZ installation, position the bracket on the end of the 2x4 rail. Install fasteners into all three holes. Slide the rail into place against the post or other wood supporting member. Install one fastener through both the top and bottom holes into the supporting member.

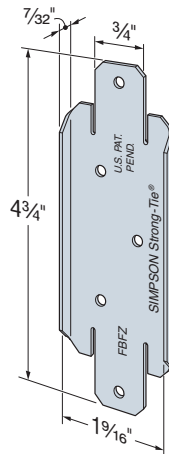
Codes: See p. 11 for Code Reference Key Chart

These products are available with additional corrosion protection. For more information, see p. 14.

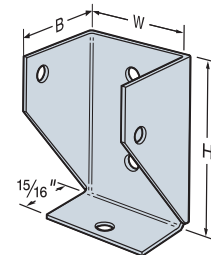
SD Many of these products are approved for installation with Strong-Drive SD Connector screws. See pp. 348–352 for more information.

Model No.	Ga.	Member Size	Dimensions (in.)			Code Ref.
			W	H	B	
SS FB24Z	20	2x4	1⅞	3⅞	¾	—
FB24R	20	2x4 RGH	2	3⅞	¾	
FB26	18	2x6	1⅞	5	1½	
FBR24Z	18	2x4	1⅞	2⅞	1½	—
FBFZ	18	2x4	1⅞	4¾	⅞	

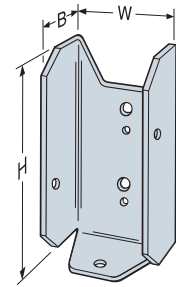
1. FB26 has an allowable load for F₁ of 365 lb.
2. FBR24Z: R = rail (not rough).



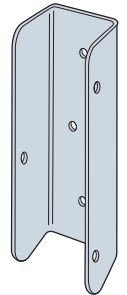
FBFZ
US Patent Pending



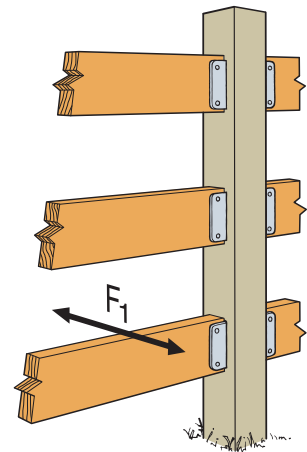
FBR24Z



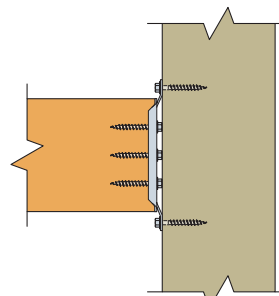
FB24Z
(FB24R similar)



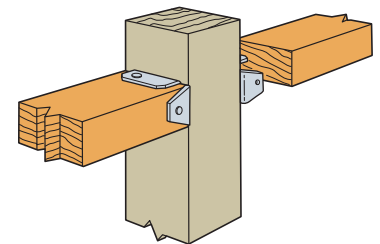
FB26



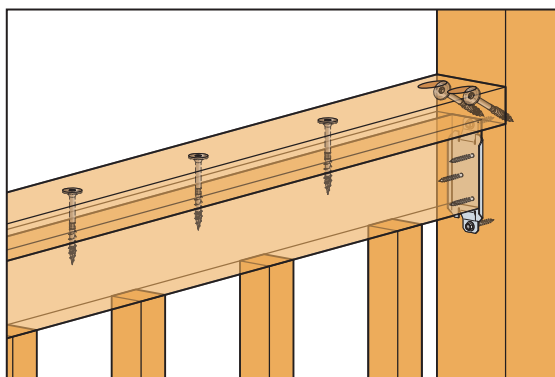
Typical FB26 Fencing Installation



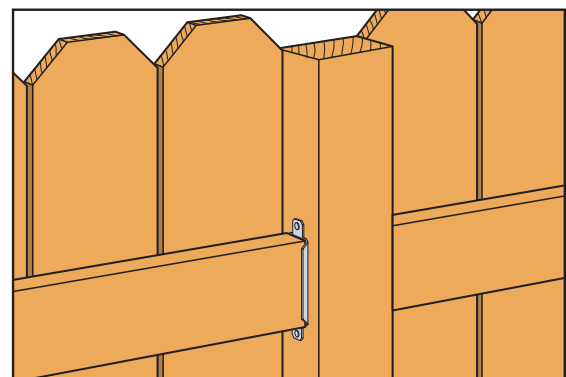
1. Tabs on either end of the FBFZ bracket can be slightly bent to adjust for the rail length.



Typical FB24Z Installation



Typical FBFZ Handrail Installation
(3" SDWS Timber screws shown)



Typical FBFZ Fence Rail Installation