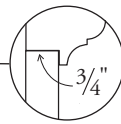
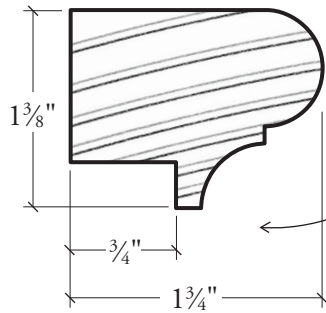
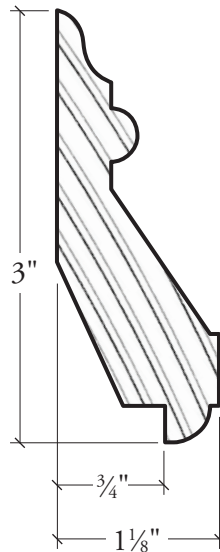
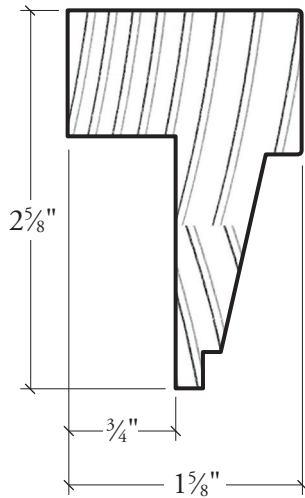


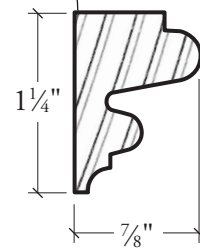
SCALE



*3/4" GAP
designed to work
with WindsorONE
specialty boards.*





*MULTIPLE USES
Example: can be used with S4SSE
to create unique window casings or
to cap off wainscoting*



WAINSCOT CAPS

PANEL MOLDING

-  WOWC003 wainscot cap
-  WOWC006 wainscot cap

-  WOWC002 wainscot cap

-  WOSP001 federal panel

